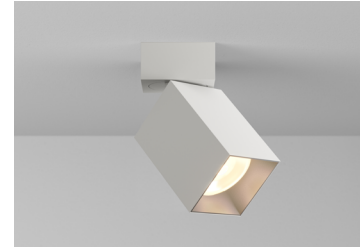


# SQUILINDER® ADJUSTABLE SURFACE MOUNT

A modern update to a timeless form, this award-winning, fresh-faced classic offers sleek geometry, field-changeable optics, and endless adjustability.

PROJECT NAME:	TYPE:
---------------	-------



## ORDERING INFORMATION - SQUILINDER

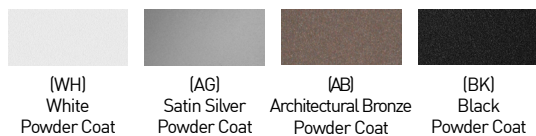


Quick Ship Product. All rough in components ship within 10 days up to quantities of 100.



JA8-2019 COMPLIANCE INDICATED BY SHADING

SQUILINDER	FIXTURE	RATING	SQUILINDER FINISH	BAFFLE FINISH	LUMEN PACKAGE	CCT	OPTIC	DRIVER	EFFECTS DEVICE	MOUNTING
<b>SQ2</b>	<b>AD</b>	<b>1</b>								
SQ2 3.13"	AD Standard 90°	1 Dry/Damp	<b>WH</b> White <b>AG</b> Satin Silver* *(Increased lead time) <b>AB</b> Architectural Bronze* *(Increased lead time) <b>BK</b> Black <b>CF</b> Custom Finish* *(Consult Factory)	<b>WH</b> White <b>AG</b> Satin Silver* *(Increased lead time) <b>AB</b> Architectural Bronze* *(Increased lead time) <b>BK</b> Black <b>CF</b> Custom Finish* *(Consult Factory)	<b>STATIC WHITE</b> <b>80C12A</b> 80+ CRI, Dvd. Lumens - 807 <b>80C19A</b> 80+ CRI, Dvd. Lumens - 1244 <b>80C25A</b> 80+ CRI, Dvd. Lumens - 1652 <b>90C10A</b> 90+ CRI, Dvd. Lumens - 691 <b>90C15A</b> 90+ CRI, Dvd. Lumens - 1066 <b>90C20A</b> 90+ CRI, Dvd. Lumens - 1416 <b>97C09A</b> 97+ CRI, Dvd. Lumens - 618 <b>97C14A</b> 97+ CRI, Dvd. Lumens - 954 <b>97C19A</b> 97+ CRI, Dvd. Lumens - 1267	<b>22</b> 2200K* *(Only available for 90+ CRI) <b>27</b> 2700K <b>30</b> 3000K <b>35</b> 3500K <b>40</b> 4000K	<b>10</b> 10°* *(Only available for 80C12A, 90C10A, and 97C09A. Not available for 2200K) <b>15</b> 15° <b>25</b> 25° <b>40</b> 40° <b>60</b> 60°	<b>INTEGRAL</b> <b>CA3</b> 120-277V 0-10V Analog <b>CE3</b> 120V Electronic ELV Forward / Reverse Phase  <b>REMOTE (120V)</b> <b>TR2</b> Philips, 2% Leading / Trailing / Triac* *(Only available for 80C19A, 90C15A, 97C14A, and Warm Dim) <b>L23</b> Lutron, Hi-Lume 1% 2-Wire  <b>REMOTE (120-277V)</b> <b>LH1</b> Lutron, Hi-Lume Ecosystem 1% Fade to Black <b>LP1</b> Lutron, Hi-Lume Premier Ecosystem 0.1% Fade to Black <b>AN4</b> Philips Titanium 1% 0-10V, LOG <b>LN2</b> Philips Titanium 1% 0-10V, LIN <b>EA2</b> eldoLED, SOLOdrive 0.1% 0-10V, LOG <b>LA2</b> eldoLED, SOLOdrive 0.1% 0-10V, LIN <b>ED1</b> eldoLED, SOLOdrive 0.1% DALI, LOG <b>LD1</b> eldoLED, SOLOdrive 0.1% DALI, LIN	<b>STANDARD EFFECTS DEVICE</b> <b>40</b> Soft Focus Lens <b>00</b> No Lens* *(Standard for 10° optic. Not available for Warm Dim)  <b>ALTERNATE EFFECTS DEVICE</b> <b>20</b> Honeycomb Louver* *(Not available for Warm Dim) <b>30</b> Clear Glass Lens* *(Not available for Warm Dim) <b>50</b> Frosted Glass Lens <b>60</b> Frosted Soft Focus Lens <b>70</b> Frosted Linear Spread Lens <b>SO</b> Soft Focus Lens w/ Linear Spread Film <b>CO</b> Clear Glass Lens w/ Linear Spread Film	<b>ROUGH-IN</b> <b>JBMP</b> 4" Sq. or 4/0 Junction Box Mounting Plate Ⓢ  <b>FINISH OUT</b> <b>SMK3</b> 3/0 Surface Mount Kit Ⓢ <b>SMK4</b> 4/0 Surface Mount Kit Ⓢ <b>CMJB</b> 1/2" and 3/4" Conduit Ceiling Mount Junction Box* *(Quick Ship Product for WH and BK finishes only) Ⓢ
					<b>WARM DIM</b> <b>90W11A</b> 90+ CRI, Dvd. Lumens - 924 Incandescent Profile  <b>90W12A</b> 90+ CRI, Dvd. Lumens - 1039 Standard Profile  *SEE PAGE 3 FOR DETAILED WARM DIM PROFILE COMPARISON.	<b>WL</b> 2700K - 1800K  <b>WD</b> 3000K - 1800K	<b>25</b> 25° <b>40</b> 40° <b>60</b> 60°			
*ALL DELIVERED LUMEN OUTPUTS AND T24 COMPLIANCE REFLECT 3000K PAIRED WITH 60° OPTIC AND SOFT FOCUS LENS. REFERENCE PAGE 3 FOR ADDITIONAL T24 COMPLIANT CONFIGURATIONS.										



## PART NUMBER NOTES

- SQ2 ships as e.g., SQ2-AD1-WHBK-90C20A2-30CA340
- Remote driver ships as e.g., PS-RMT-90C20A-1L23
- Mounting ships separate from fixture, part numbers listed on page 5.

# SQUILINDER ADJUSTABLE SURFACE MOUNT

## ACCESSORIES

### ALTERNATE BAFFLE AND EFFECTS DEVICE

Includes baffle with sealed lens. Must specify baffle finish.

**RBA-SQ2-\*\*-HCL-2** Honeycomb Louver \*

\*(Not available for Warm Dim)

**RBA-SQ2-\*\*-CGL-2** Clear Glass Lens \*

\*(Not available for Warm Dim)

**RBA-SQ2-\*\*-SFL-2** Soft Focus Lens

**RBA-SQ2-\*\*-FGL-2** Frosted Glass Lens

**RBA-SQ2-\*\*-FSFL-2** Frosted Soft Focus Lens

**RBA-SQ2-\*\*-FLSL-2** Frosted Linear Spread Lens

**RBA-SQ2-\*\*-SFL-LSL-2** Soft Focus Lens W/ Linear Spread Film

**RBA-SQ2-\*\*-CGL-LSL-2** Clear Glass Lens W/ Linear Spread Film

\*\* Baffle finish: Specify **WH** for white, **BK** for black, **AG** for satin silver or

**AB** for architectural bronze.

### REPLACEMENT OPTICS

Interchangeable optics accessible by removing baffle.

**RO-70-15-1** 15° optic \*

\*(Not available for Warm Dim)

**RO-70-25-1** 25° optic

**RO-70-40-1** 40° optic

**RO-70-60-1** 60° optic

### REPLACEMENT SUCTION TOOL

Included with each order (1 per 10 fixtures).

**CY-SQ-TOOL-SUCTION** Baffle assembly removal tool

### EMERGENCY LIGHTING - REMOTE MOUNT ONLY

**EMB-S-20/25-120/277-LEDX** 20/25 watt max capacity, 120 or 277 VAC 60Hz

**EMB-S-100-120-LEDX** 100 watt max capacity, 120 VAC 60Hz

**EMB-S-100-277-LEDX** 100 watt max capacity, 277 VAC 60Hz

**EMB-S-250-120/277-LEDX** 250 watt max capacity, 120 or 277 VAC 60Hz

During disruption of main power, emergency battery inverter provides temporary 120V or 277V to fixture.

# SQUILINDER ADJUSTABLE SURFACE MOUNT

## STATIC WHITE PERFORMANCE - 3000K - SOFT FOCUS LENS

LUMEN PACKAGE	WATTAGE	10° OPTIC NO SOFT FOCUS LENS		15° OPTIC SOFT FOCUS LENS		20° OPTIC SOFT FOCUS LENS		40° OPTIC SOFT FOCUS LENS		60° OPTIC SOFT FOCUS LENS	
		DELIVERED	LPW	DELIVERED	LPW	DELIVERED	LPW	DELIVERED	LPW	DELIVERED	LPW
80C12A	10	960	56 (17W)	831	84	794	80	758	77	807	82
80C19A	17	-	-	1282	78	1225	75	1169	71	1244	76
80C25A	24	-	-	1702	73	1627	70	1552	66	1652	71
90C10A	10	814	47 (17W)	712	72	681	69	649	66	691	70
90C15A	17	-	-	1098	67	1050	64	1001	61	1066	65
90C20A	24	-	-	1459	62	1394	60	1330	57	1416	61
97C09A	10	745	43 (17W)	637	64	609	62	581	59	618	63
97C14A	17	-	-	983	60	939	57	896	55	954	58
97C19A	24	-	-	1305	56	1247	53	1190	51	1267	54
90W11A	16	-	-	-	-	913	57	777	48	924	57
90W12A	16	-	-	-	-	1026	64	874	54	1039	64



JA8-2019 INDICATED BY SHADING

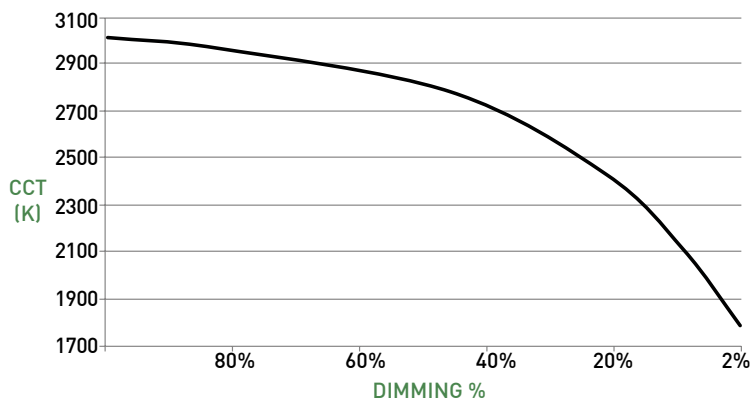
OUTPUT MULTIPLIER	
CCT	CCT SCALE
2200K (Consult factory for JA8 details)	0.800
2700K	0.957
3000K	1.000
3500K	1.019
4000K	1.030

LIGHT LOSS FACTOR MULTIPLIER	
No Lens	1.05
SFL	1.00
CGL	1.00
FGL	0.90
FSFL	0.87
FLSL	0.83
SFL W/ LINEAR SPREAD	0.82
CGL W/ LINEAR SPREAD	0.82
HCL	0.65

## WARM DIM PERFORMANCE - SOFT FOCUS LENS - 60° OPTIC

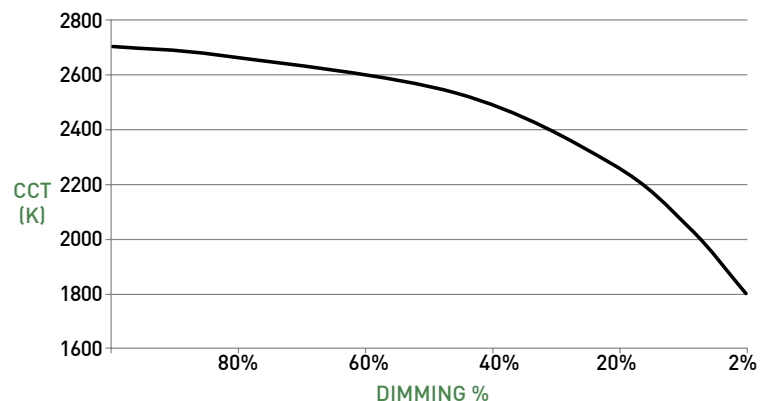
STANDARD WARM DIM PROFILE

90W12A 3000K - 1800K	Full on 100%	Dimmed to 80%	Dimmed to 70%	Dimmed to 50%	Dimmed to 20%	Dimmed to 10%	Dimmed to 2%
CCT (K)	3000	2950	2920	2775	2375	2000	1800
Light Output (Lm)	1039	831	727	519	207	103	20
Power (W)	14	11	10	7	3	1.5	0.3
Efficacy (LPW)	64	64	64	64	64	64	64



WARM DIM TO MIRROR INCANDESCENT DIMMING PROFILE

90W11A 2700K - 1800K	Full on 100%	Dimmed to 80%	Dimmed to 70%	Dimmed to 50%	Dimmed to 20%	Dimmed to 10%	Dimmed to 2%
CCT (K)	2700	2650	2620	2520	2180	1950	1800
Light Output (Lm)	924	739	647	462	184	92	18
Power (W)	16	13	11	8	3	1.7	0.3
Efficacy (LPW)	57	57	57	57	57	57	57

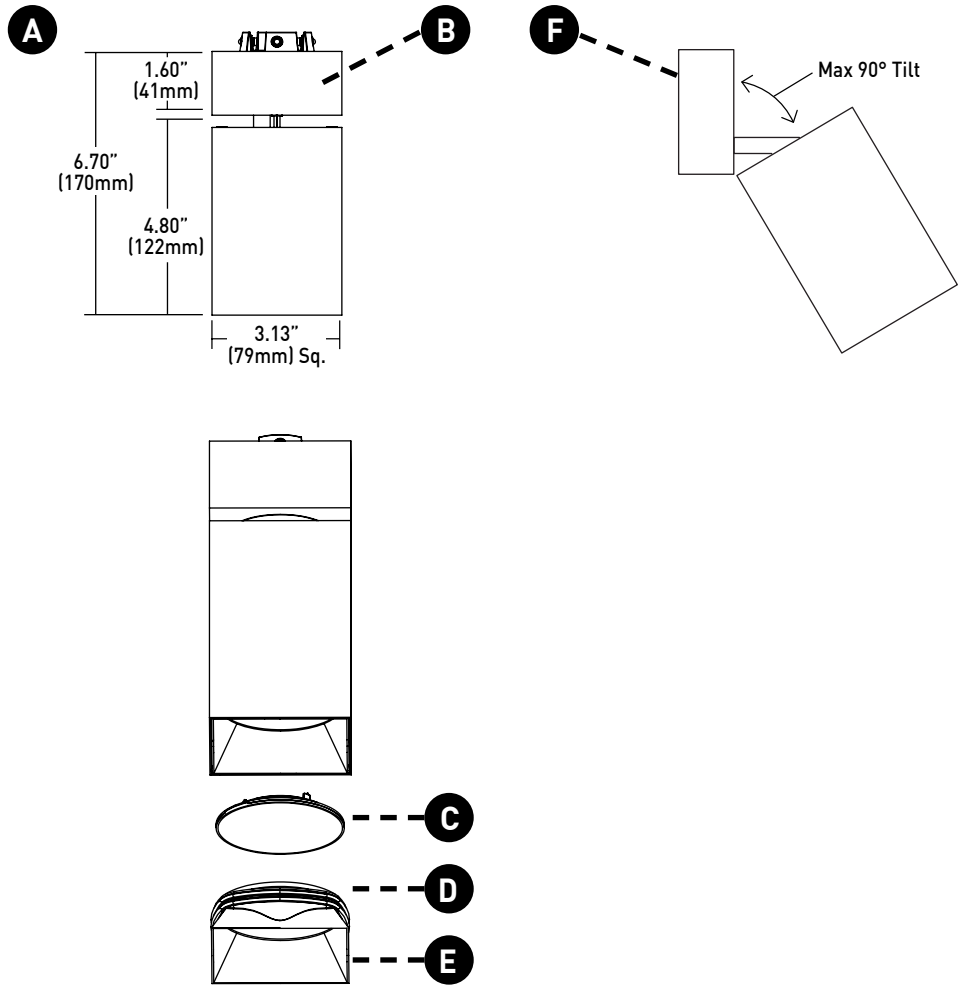


# SQUILINDER ADJUSTABLE SURFACE MOUNT

## FIXTURE

- A LUMINAIRE**  
Machined body with integral heat sink and LED. Power supply may be integral or remote mount.
- B CANOPY / ADJUSTABILITY**  
Machined 1.60" (41mm) depth canopy accommodates flat and slope ceiling conditions. Conceals hidden mounting hardware. Features self-locking 357° rotation and 90° tilt standard.
- C STANDARD OPTICS**  
Field-changeable optics available in 10°, 15°, 25°, 40° and 60° beams.
- D EFFECTS DEVICE**  
Soft focus lens or no lens standard; lenses sealed in place. Fixture can accept 1 effects device.
- E BAFFLE**  
Baffle minimizes aperture glare and conceals view into fixture. Suction tool provided for removal of baffle.
- F WALL-MOUNT**  
SQ2-AD may be wall mounted.

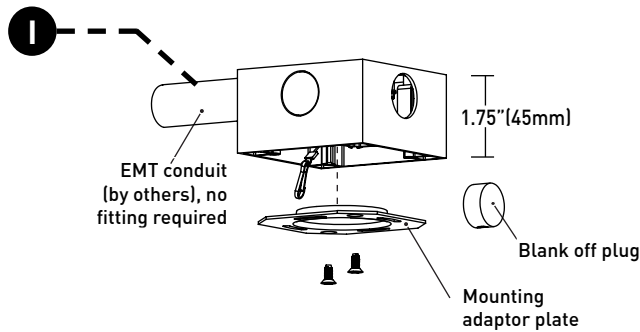
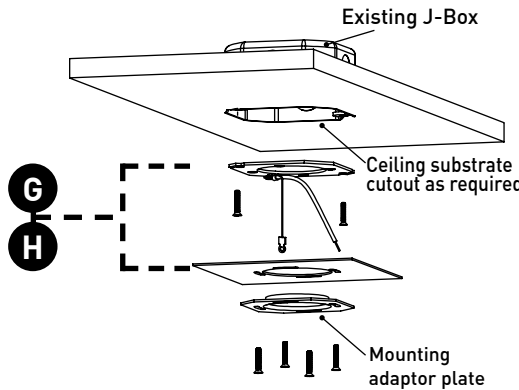
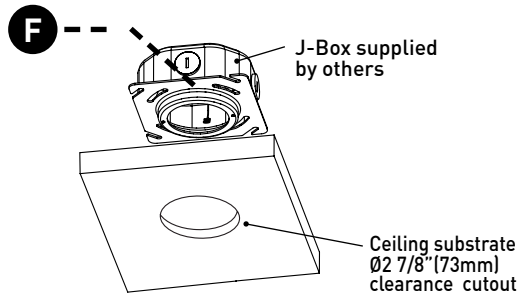
## DIMENSIONS / DRAWINGS



# SQUILINDER ADJUSTABLE SURFACE MOUNT

## MOUNTING

- F JBMP**  
Mounting plate (concealed) for standard 4" square or 4" 4/0 j-box . To be installed during rough-in prior to substrate. Fixture to mount flush with minimalist transition to ceiling.  
Part Number - SQ2-JBMP
- G SMK3**  
Surface mount kit includes mounting plate and 4" concealer plate that installs between fixture and standard 3" 3/0 j-box for existing applications where standard j-box cutout is to be concealed.  
Part Number - SQ2-SMK-3/0-(FINISH)
- H SMK4**  
Surface mount kit includes mounting plate and 5" concealer plate that installs between fixture and standard 4" 4/0 j-box for existing applications where standard j-box cutout is to be concealed.  
Part Number - SQ2-SMK-4/0-(FINISH)
- I CMJB**  
Ceiling mount junction box perfectly matches the squilinder profile for a continuous, integrated look where exposed ceiling mount junction box and conduit applications apply. For use with 1/2" and 3/4" EMT conduit only. Features three conduit entrances at 12, 3, and 6 o'clock plus one conduit knockout on top. Painted finishes only. Blank off plugs included.  
Part Number - SQ2-CMJB-(FINISH)

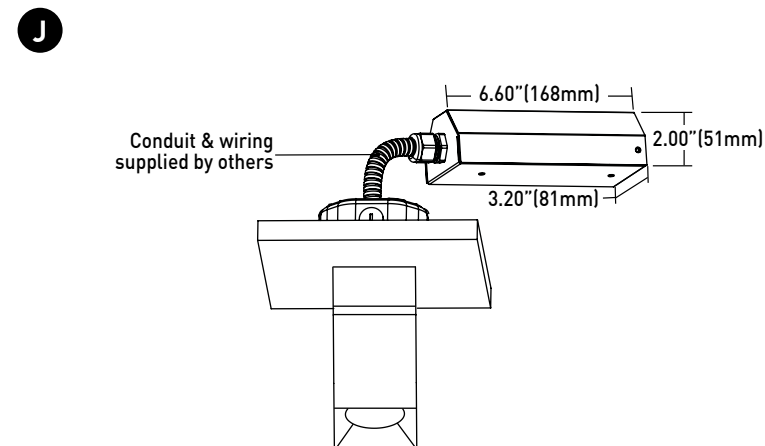


## MOUNTING NOTES

- JBMP not recommended for use with pancake style j-box.
- For applications involving slat ceilings or confined mounting, consult Comprehensive Install Guide for required clearances for proper air flow and servicing.

## REMOTE POWER SUPPLY

- J PS-RMT**  
Remote power supply provides additional driver options. Mounting device still required. See page 6 for maximum allowable secondary run lengths between PS-RMT and fixture.



# SQUILINDER ADJUSTABLE SURFACE MOUNT

## TECHNICAL

### CONSTRUCTION

**Squilinder:** Machined aluminum body; painted finishes are granulated powder coat.

**CMJB:** Die-cast aluminum body; painted finishes are granulated powder coat.

**Remote Power Supply:** 22 Gauge galvanized steel.

### STATIC WHITE LED

2-step MacAdam ellipse LED module available in 80+, 90+ and 97+ CRI configurations in color temperatures of 2200K, 2700K, 3000K, 3500K and 4000K. Average rated lamp life: 50,000 hours. LED and driver assemblies are field-replaceable.

### WARM DIM LED

3-step MacAdam ellipse warm dim LED module available in 90+ CRI configuration. 3000K or 2700K at full brightness, warming to 1800K at full dim. Average rated lamp life of 50,000 hours. LED and driver assemblies are field-replaceable.

### POWER SUPPLY PERFORMANCE AND DIMMING INFORMATION

Power Supply	CA3	CE3	TR2	L23	LH1	LP1	AN4	LN2	EA2	LA2	ED1	LD1
Minimum °C	-20 °C	-20 °C	-20 °C	0 °C	0 °C	0 °C	-20 °C	-20 °C	-20 °C	-20 °C	-20 °C	-20 °C
Maximum °C	40 °C	40 °C	40 °C	40 °C	40 °C	40 °C	40 °C	40 °C	40 °C	40 °C	40 °C	40 °C
Dimming %	2.0%	2.0%	2.0%	1.0%	1.0%	0.1%	1.0%	1.0%	0.1%	0.1%	0.1%	0.1%

Note: For TR2, L23, LH1, LP1, AN4, LN2, EA2 and LA2 drivers consult chart on page 6 to confirm appropriate dimming curve for compatibility with selected control.

### MAXIMUM ALLOWABLE REMOTE DRIVER WIRING DISTANCES

DRIVER	WIRE AWG				
	12	14	16	18	20
TR2, AN4, LN2	285'	180'	113'	71'	45'
L23, LH1, LP1	60'	40'	25'	15'	-
EA2, LA2, ED1, LD1	-	-	118'	72'	46'

### MOUNTING

Squilinder is supplied with a mounting adaptor plate, which integrates with JBMP, providing a minimalist transition from standard 4/0 or 4" square junction boxes and accommodating ceiling thicknesses of 0.44" (12mm) to 0.75" (19mm). Ceiling-mount junction box available for 1/2" (13mm) and 3/4" (19mm) conduit and feature concealed internal clamps for clean fitting-free conduit exit and entry.

### LISTING

cTUVus listed to UL1598 standard for Dry / Damp (IP14) locations. Title 24 JA8-2019 Listed.

### WEIGHT

Fixture and Mounting - 3.2 lbs

Remote Driver - 1.4 lbs

### LIMITED WARRANTY

Manufacturer's 1-year warranty guarantees product(s) listed to be free from defects in material and workmanship under normal use and service. 5-year warranty on LED and power supply to operate with 70% of the original flux and remain within a range of 3 div. 10-year Lutron Advantage limited warranty available on Lutron equipped systems. Warranty period begins from the date of shipment by Seller and conditional upon the use of manufacturer-supplied power supply. Consult [website](#) for full warranty terms and conditions.

### CHANGE LOG

1. 01/12/2021: ADDED 2200K, 2700K-1800K WARM DIM AND 10 DEGREE OPTIC OFFERINGS.

2. 03/17/2021: ADDED SMK MOUNTING OPTION.

3. 04/29/2021: ADDED LP1 DRIVER OFFERING.

4. 06/09/2022: ADDED HONEYCOMB LOUVER, SOFT FOCUS LENS W/ LINEAR SPREAD FILM, AND CLEAR GLASS LENS W/ LINEAR SPREAD FILM.

5. 10/17/2022: REMOVED 90W13A 3200K-1800K WARM DIM AND ADDED 90W12A 3000K-1800K WARM DIM.

# SQUILINDER ADJUSTABLE SURFACE MOUNT

## DIMMING COMPATIBILITY

### PHILIPS DRIVER COMPATIBILITY

Power supply <b>TR2</b> Manufacturer	Family/Model #
Lutron Electronics	DV-600P
Lutron Electronics	DVELV-303P
Lutron Electronics	NTELV-600
Lutron Electronics	MAELV-600
Lutron Electronics	SELV-300P
Lutron Electronics	DVLV-600P
Lutron Electronics	NFTU-5A
Lutron Electronics	CTCL-153P
Lutron Electronics	GL-600H
Lutron Electronics	S-600P
Lutron Electronics	PHPM
Power supply <b>AN4 / LN2</b> Manufacturer	Family/Model #
Lutron Electronics	DVTV plus PP-DV
Lutron Electronics	DVSCTV plus PP-DV
Lutron Electronics	DVSTV
Lutron Electronics	DVSCSTV
Lutron Electronics	QSGRJ-XP plus GRX-TVI
Lutron Electronics	QSGRJ-XE plus GRX-TVI
Lutron Electronics	QSGR-XE plus GRX-TVI
Lutron Electronics	NFTV plus PP-DV
Lutron Electronics	NTSTV
Lutron Electronics	RMJ-5T
Lutron Electronics	RMJS-8T
Lutron Electronics	FCJS-010
Leviton	IllumaTch IP7 series
Philips	Sunrise - SR1200ZTUNV

### LUTRON DRIVER COMPATIBILITY

Power supply <b>L23</b> Lutron Product Family	Part No.
Maestro WirelessR 600 W dimmer	MRF2-6ND-120-
Maestro WirelessR 1000 W dimmer	MRF2-10ND-120-
Caséta® Wireless Pro 1000 W dimmer	PD-10NXD-
GRAFIK T™ CL® dimmer	GT-250M-GTJ-250M-
HomeWorks® QS adaptive dimmer	HQRD-6NA-
HomeWorks® QS 600 W dimmer	HQRD-6ND-
HomeWorks® QS 1000 W dimmer	HQRD-10ND-
RadioRA® 2 adaptive dimmer	RRD-6NA-
RadioRA® 2 1000 W dimmer	RRD-10ND
myRoom™ DIN power module	MQSE-4A1-D
HomeWorks® QS DIN power module	LQSE-4A1-D
HomeWorks® QS wallbox power module	HQRJ-WPM-6D-120
HomeWorks® wallbox power module	HWI-WPM-6D-120
GRAFIK Eye® QS control unit	QSGR-, QSGRJ-
GRAFIK Eye® 3000 control unit	GRX-3100-GRX-3500-
RPM-4U module (LCP, HomeWorks® QS, GRAFIK Systems™, Quantum®)	HW-RPM-4U-120 LP-RPM-4U-120
RPM-4A module (LCP, HomeWorks® QS, GRAFIK Systems™, Quantum®)	HW-RPM-4A-120, LP-RPM-4A-120
GP dimming panels	Various
Ariadni CL 250W dimmer	AYCL-253P-
Diva CL 250W dimmer	DVCL-253P-DCSCCL-253P-
Nova T CL 250W dimmer	NTCL-250-
Power supply <b>LH1 / LP1</b> Lutron Product Family	Part No.
PowPak Dimming Modules	RMJ-ECO32-DV-B
PowPak Dimming Modules	FCJ/FCJS-ECO
Energi Savr Nodes	QSN-1ECO-S
GRAFIK Eye QS control unit	QSN-2ECO-S
Homeworks QS control unit	QSGRJ- _E (wireless) QSGR- _E
Quantum Hub	QP2-__ 2C
Quantum Hub	QP2-__ 4C
Quantum Hub	QP2-__ 6C
Quantum Hub	QP2-__ 8C
Homeworks QS power module	LQSE-2ECO-D
myRoom Plus power module	

### eldoLED DRIVER COMPATIBILITY

Power supply <b>EA2 / LA2</b> Dimmer / Switch Control Manufacturer	Family/Model #
Busch-Jaeger	2112U-101
Jung	240-10
Leviton Lighting Controls	IP710-DLX
Lightolier Controls	ZP600FAM120
Lutron Electronics	Nova T® - NTFTV
Lutron Electronics	Div@® - DVTV
Lutron Electronics	Nova@® - NFTV
Merten	5729
Pass & Seymour	CD4FB-W
The Watt Stopper	DCLV1
Sensor Switch	nI0 EZ
Synergy	ISD BC
Power supply <b>EA2 / LA2</b> Lighting Control Systems Manufacturer	Family/Model #
Lutron Electronics	GrafixEye® GRX-TVI w GRX3503
Lutron Electronics	Energy Savr Node™ - QSN-4T16-S
Lutron Electronics	TVM2 Module
Crestron®	GLX-DIMFLV8
Crestron®	GLXP-DIMFLV8
Crestron®	GLPAC-DIMFLV4-*
Crestron®	GLPAC-DIMFLV8-*
Crestron®	GLPP-DIMFLVEX-PM
Crestron®	GLPP-1DIMFLV2EX-PM
Crestron®	GLPP-1DIMFLV3EX-PM
Crestron®	DIN-A08
Crestron®	DIN-4DIMFLV4
Crestron®	CLS-EXP-DIMFLV
Crestron®	CLCI-1DIMFLV2EX
ABB	SD/S 2.16.1

